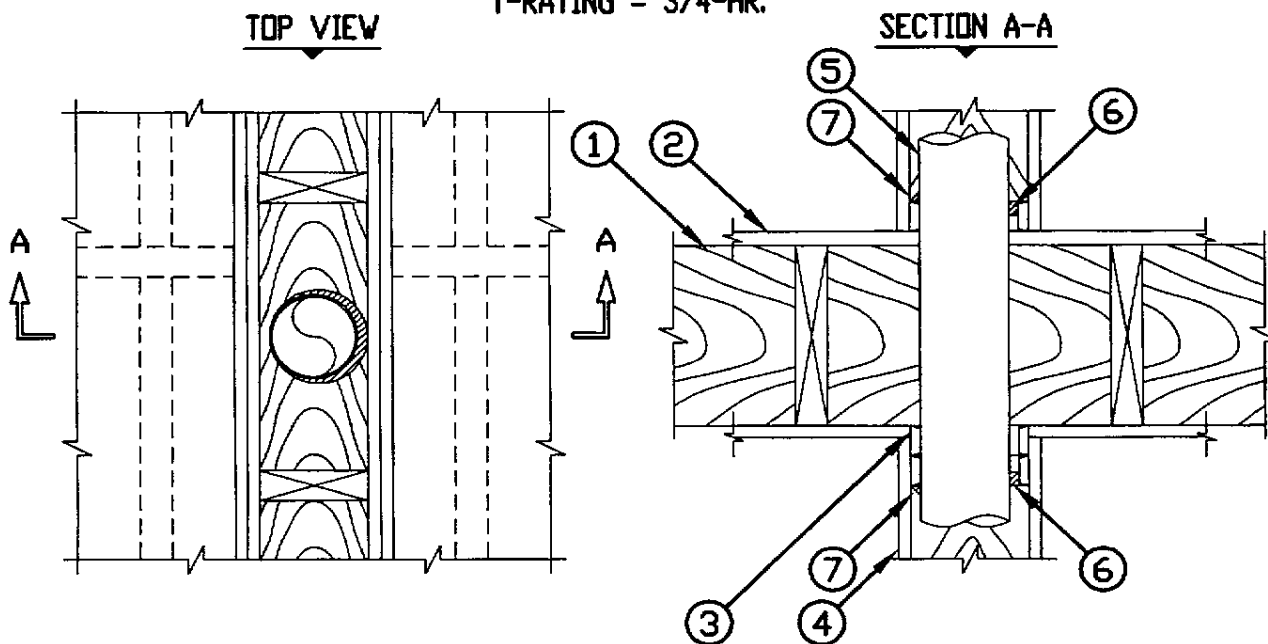


**UL SYSTEM NO. F-C-2242
PLASTIC PIPE THROUGH 1-HR. WOOD FLOOR ASSEMBLY**

F-RATING = 1-HR.
T-RATING = 3/4-HR.



FC2242b.080902

1. WOOD FLOOR/CEILING ASSEMBLY (UL CLASSIFIED L500 SERIES) (1-HR. FIRE-RATING).
2. LUMBER OR PLYWOOD SUBFLOOR WITH FINISH FLOOR OF LUMBER, PLYWOOD, OR FLOOR TOPPING MIXTURE.
3. WOOD TOP PLATE.
4. GYPSUM WALL ASSEMBLY (1-HR. FIRE-RATING).
5. PENETRATING ITEM TO BE ONE OF THE FOLLOWING (ALSO SEE NOTE NO. 6 BELOW) :
 - A. MAXIMUM 4" NOMINAL DIAMETER PVC PLASTIC PIPE (CLOSED OR VENTED PIPING SYSTEM).
 - B. MAXIMUM 4" NOMINAL DIAMETER ABS PLASTIC PIPE (CLOSED OR VENTED PIPING SYSTEM).
 - C. MAXIMUM 4" NOMINAL DIAMETER CPVC PLASTIC PIPE (CLOSED PIPING SYSTEM).
6. MINIMUM 1/2" DEPTH HILTI CP 606 FLEXIBLE FIRESTOP SEALANT.
7. MINIMUM 1/2" BEAD CP 606 FLEXIBLE FIRESTOP SEALANT AT POINT OF CONTACT. (ALSO SEE NOTE NO. 4 BELOW).

- NOTES :**
1. MAXIMUM DIAMETER OF OPENING = 5-1/2".
 2. ANNULAR SPACE = MINIMUM 0", MAXIMUM 1".
 3. PLASTIC PIPE MAY BE INSTALLED WITH CONTINUOUS POINT OF CONTACT.
 4. WHEN ANNULAR SPACE IS 1/4" (OR LESS), ONLY A MINIMUM 1/2" BEAD OF HILTI CP 606 FLEXIBLE FIRESTOP SEALANT IS REQUIRED AT TOP PLATE AND SUBFLOOR, COVERING ANNULAR SPACE.
 5. HILTI CP 606 FLEXIBLE FIRESTOP SEALANT MAY BE INSTALLED WITHIN THE SUBFLOOR OR WITHIN THE ANNULAR SPACE OF THE SOLE PLATE.
 6. PVC AND ABS PIPE = SCHEDULE 40, CELLULAR OR SOLID CORE. CPVC PIPE = SDR 13.5.



HILTI, Inc.
Tulsa, Oklahoma USA (918) 252-6000

Sheet	1 of 1
Scale	3/32" = 1"
Date	Aug. 9, 2002

Drawing No.
**FC
2242b**